

# FLAT ROOF- AND FACADE SUPPORTS

## Supports Beam kit



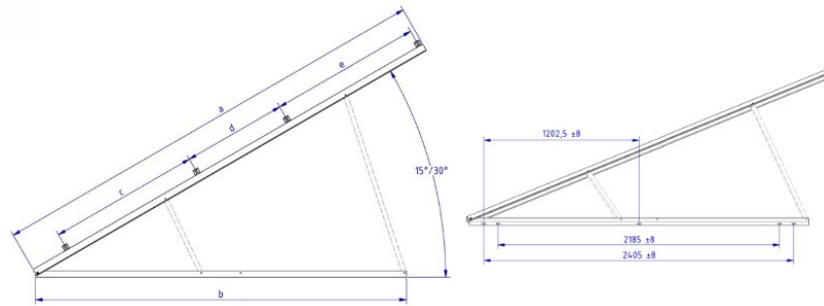
### Beam kit Angle available in 15° or 30°

Flat roof support light 3,2m beam kit

	a	b	c	d	e
<b>155002-320</b>	3195 mm	2635 mm	1080 mm	733 mm	1072 mm

For horizontal and vertical module mounting  
Please note:

Refer to the dimension table for mounting areas, observe the specifications of the module manufacturer  
Strut selection and accessories see page 50



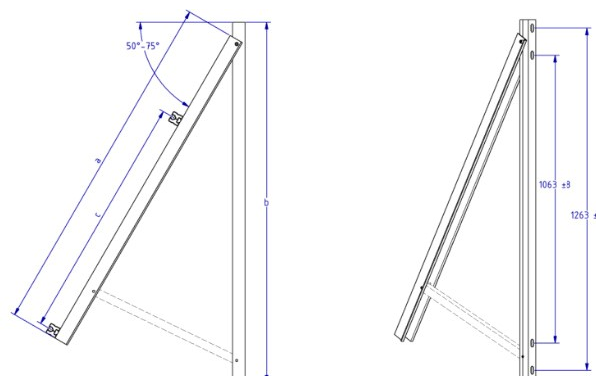
### Facade support Angles of 50°- 75° in 5° increments possible

Facade support light 1,3m beam kit

	a	b	c
<b>156002-160</b>	1285 mm	1323 mm	900 mm

For horizontal and vertical module mounting  
Please note:

Refer to the dimension table for mounting areas, observe the specifications of the module manufacturer  
Strut selection and accessories see page 50

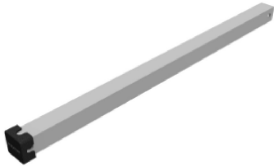


# BEAM KIT ACCESSORIES

## Supports

To complete the beam kits the following components such as struts and accessories are necessary!

### Struts for beam kit



<b>159005-001</b>	Strut with end cap 338mm
<b>159005-002</b>	Strut with end cap 428mm
<b>159005-003</b>	Strut with end cap 520mm
<b>159005-004</b>	Strut with end cap 613mm
<b>159005-005</b>	Strut with end cap 700mm
<b>159005-006</b>	Strut with end cap 781mm
<b>159005-007</b>	Strut with end cap 1359mm



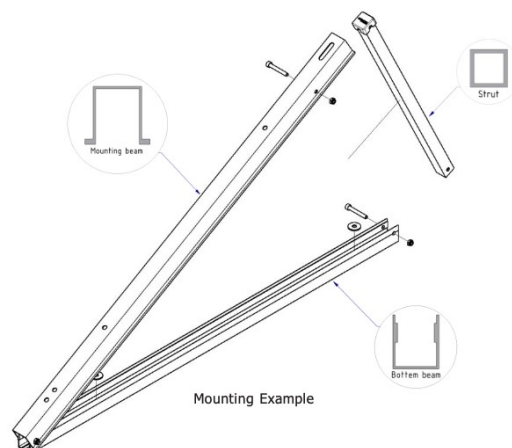
### Beam kit accessories

<b>943308-055</b>	Bolt M8x55 hex socket DIN 912 GMB (2 piece/strut)	PU:100
<b>943911-008</b>	Nut M8 hexagon self-locking DIN985 A4 (2 piece/strut)	PU:500
<b>943922-010</b>	M10 Large Washer DIN9021 A2 (1 piece/screw-on point bottom support)	PU:100

### Strut table

Flat roof support						
	15°	20°	25°	30°	35°	40°
<b>150002-130</b>	159005-001	159005-002	159005-003	159005-004	159005-005	159005-006
<b>150002-150</b>	159005-001	159005-002	159005-003	159005-004	159005-005	159005-006
<b>155002-320</b>	159005-005			159005-007		
	159005-001			159005-004		

Facade support						
	50°	55°	60°	65°	70°	75°
<b>156002-160</b>	159005-006	159005-005	159005-004	159005-003	159005-002	159005-001



# SUPPORT ACCESSORIES

## Supports



When putting systems together, the fitting sets must be considered when ordering. The mounting material is provided for M8 click channels.

<b>159000-002</b> Fitting set 07 for CompactVario, simple For assembly of upper support parts on profiles, such as profile family 05	PU:100
--	--------



### Filling finish

<b>159000-027</b> Concrete block filling finish set18	PU:100
---	--------

<b>160002-001</b> SolRack AL (1 plate) Material thickness: 1 mm Surface: 0.55 m <sup>2</sup>	
--	--



### SolRack accessories

(2 units per plate required!)

<b>943610-025</b> Screw M10 x 25 hexagonal DIN933 A2 GMB	PU:100
<b>943922-010</b> Large washer M10 DIN9021 A2	PU:100
<b>943912-010</b> Flange nut M10 with locking teeth DIN6923 A4	PU:100

### Windsafe (depending on project)

Rear wall paneling for elevated PV systems to reduce wind loads

<b>164160-180</b> Windsafe Vario AL 160 x 1830 mm	
<b>164250-180</b> Windsafe Vario Alu 250 x 1830 mm	

